

2.4GHz DIPOLE ANTENNA 5dBi+with 150mm 1.37 cable IPEX DA-2450-05IPEX-150

APPLICATIONS AND FEATURES

Applications:

- 2.4GHz-2.5GHz ISM Band
- IEEE 802.11b/g/n Wireless LAN
- Public Wireless Hotspot
- Bluetooth 、 Wi-Fi 、 RFID
- Wireless Video Systems
- Directional and multipoint application

Features :

- Superior Performance
- Made with weatherproof and corrosion resistant
- Good appearance design
- Installed for vertical or horizontal polarization
- Outdoor antenna for public Hot spots
- Heavy Duty mounting
- RoHS Compliant



SPECIFICATIONS:

Electrical Specifications

Frequency Range	2400~2500 MHz
V.S.W.R	≤ 2.0:1
Antenna Type	Dipole Sleeve
Gain	≥ 5 + 0.5dBi
Polarization	Linear
Horizontal Beam-width	360°
Impedance	50Ω
Connector	IPEX
Coaxial Cable	150mm 1.37 cable

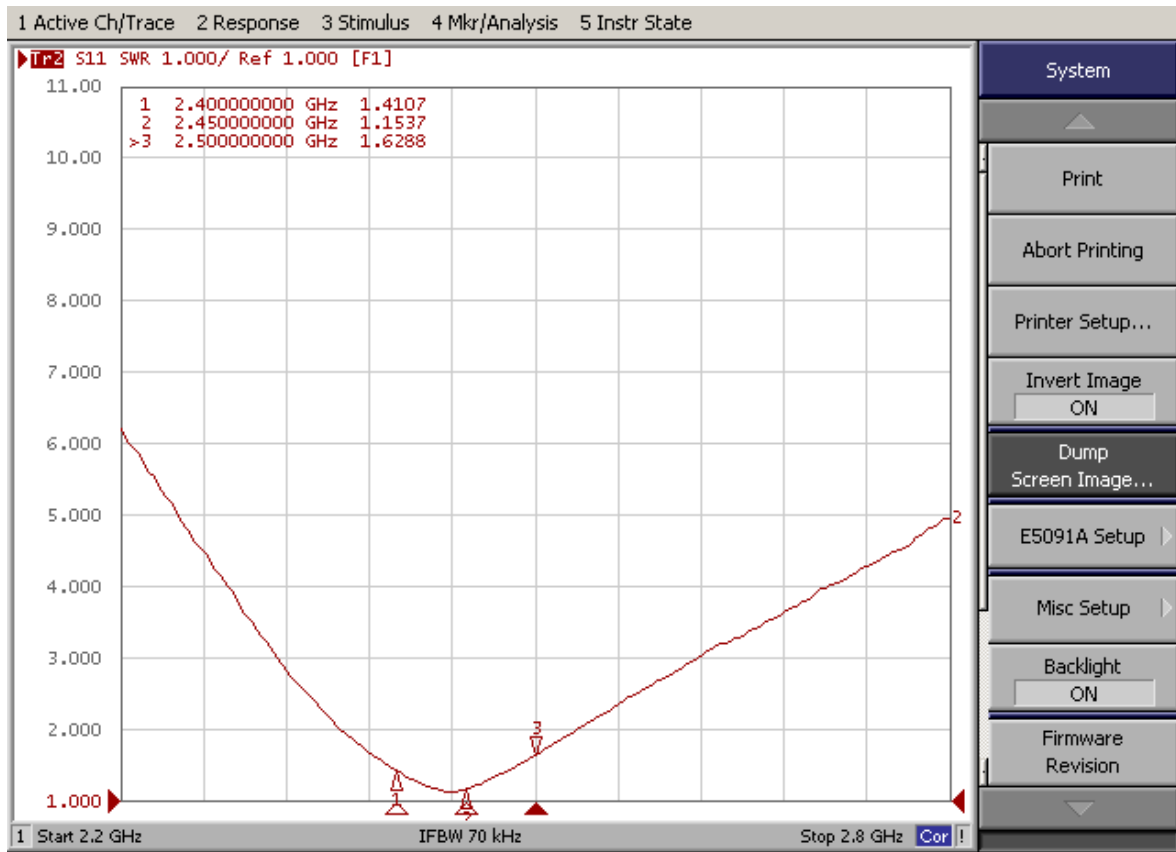
Mechanical Specifications

Dimension	191mm
Weight	20g
Housing	TPEE
Hinge	ABS
Color	Black
Operating Temperature	-20℃ to +70 ℃
Storage Temperature	-20℃ to +70 ℃

Test Item	Procedure	Requirement
Visual inspection and Dimension Check	Applicable methods using x5 magnification	follow specification
Rapid Changing of Temperature	-40°C (30minutes) to 90°C (30minutes); 24 cycles	After 2 hours recovery: 1. no visible damage 2. Freq. Tol.: < ±5%
Damp Heat	24 hours at 60°C; 90 ~ 95% RH	After 2 hours recovery: 1.no visible damage 2. Freq. Tol. : < ±5%
Endurance	24 hours at 90°C	After 2 hours recovery: 1. no visible damage 2. Freq Tol.: < ±5%

TESTING REPORT

VSWR



Hwayaotek

No.3, Aly. 2, Ln. 279, Zhongzheng Rd.,
Yongkang Dist., Tainan City 710, Taiwan
(R.O.C.)

TEL: +886-6-2020062
FAX: +886-6-2013882
<http://www.hwayaotek.com.tw>
Email: sales@hwayaotek.com.tw

Antenna Gain

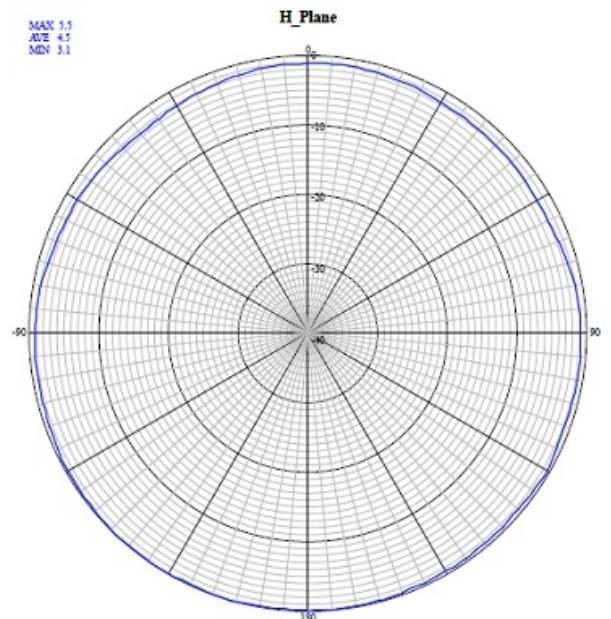
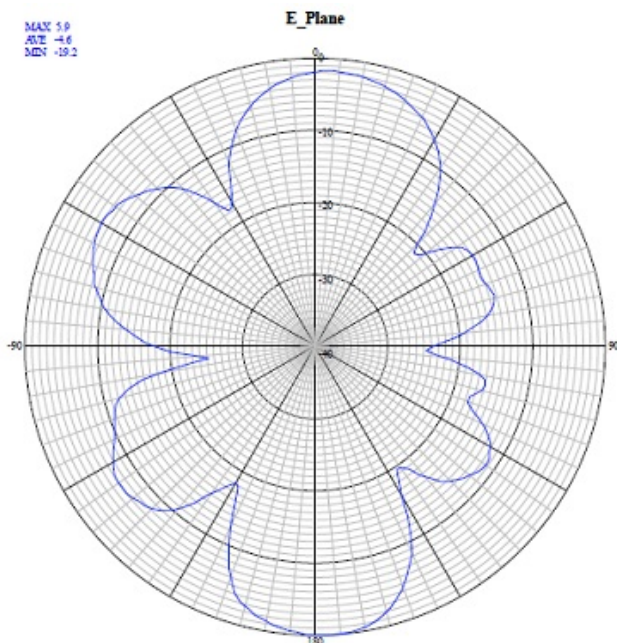
頻率	Gain H-Plane	Gain E-Plane
2.4 GHz	5.9 dBi	5.5 dBi
2.45 GHz	6.0 dBi	5.6 dBi
2.5 GHz	5.6 dBi	4.8 dBi

頻率	HPBW H-Plane	HPBW E-Plane
2.4 GHz	360.0 deg	37.6 deg
2.45 GHz	360.0 deg	34.9 deg
2.5 GHz	360.0 deg	36.0deg

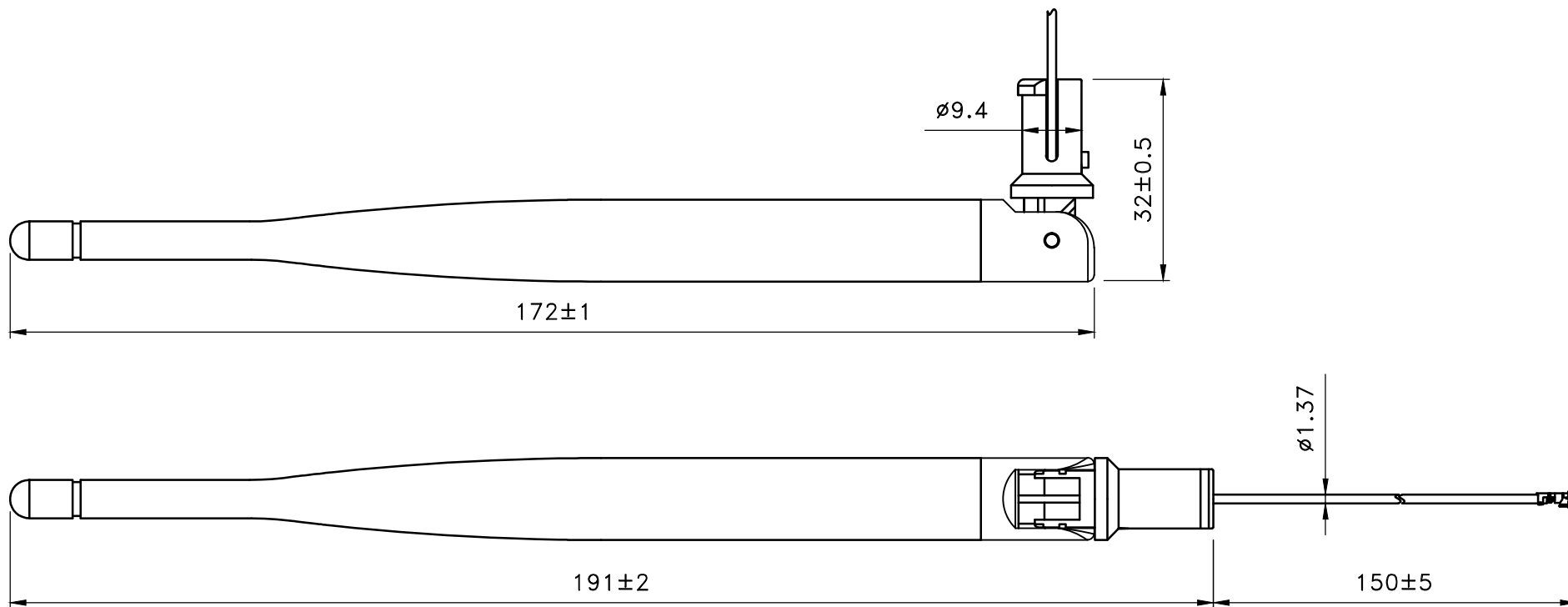
Antenna Vertical & Horizontal Pattern

Vertical

Horizontal



REV	DATE	DESCRIPTION	DRAWN
△			



Prohibit re-circulating



 華耀科技有限公司
Hwa Yao Technologies co.,Ltd

TITLE 2.4GHz Dipole Antenna 5dBi	
DRAWING NO. DA-2450-05IPEX-150	
APPROVED	DRAWN DATE 01/07/15
CHECKED	SCALE 1:1
DRAWN ALICE	UNIT mm

NO	DESCRIPTION	MATERIAL	FINISH	Q'ty
3	1.37 CABLE	ASSY	BLACK	1
2	IPEX	BRASS	GOLD	1
1	BODY	TPEE	BLACK	1

NOTE	DIMENSION
1. STRIP ALL BURRS.	UNLESS OTHERWISE NOTED TOLERANCES X=±0.3 0.X=±0.2 0.XX=±0.1
2. ALL DIMENSIONS ARE AFTER PLATING.	
3. DIAMETERS ON COMMON CENTERS.	
4. CHAMFER 1ST & LAST THREADS 45°.	
5. BREAK ALL CONNERS & EDGES CO.15 MAX.	

All creative content and details belonging to HYT's confidential, and the owner, without consent, Do not posted, theft, copied and sent to a third party.